

NOTE :  
REFLECTIVE BACKGROUND SHALL BE  
TYPE VII MICROPRISMATIC DIAMOND GRADE OR EQUIV.

\*SEE TABLE 1 FOR ALL OTHER SIGNS

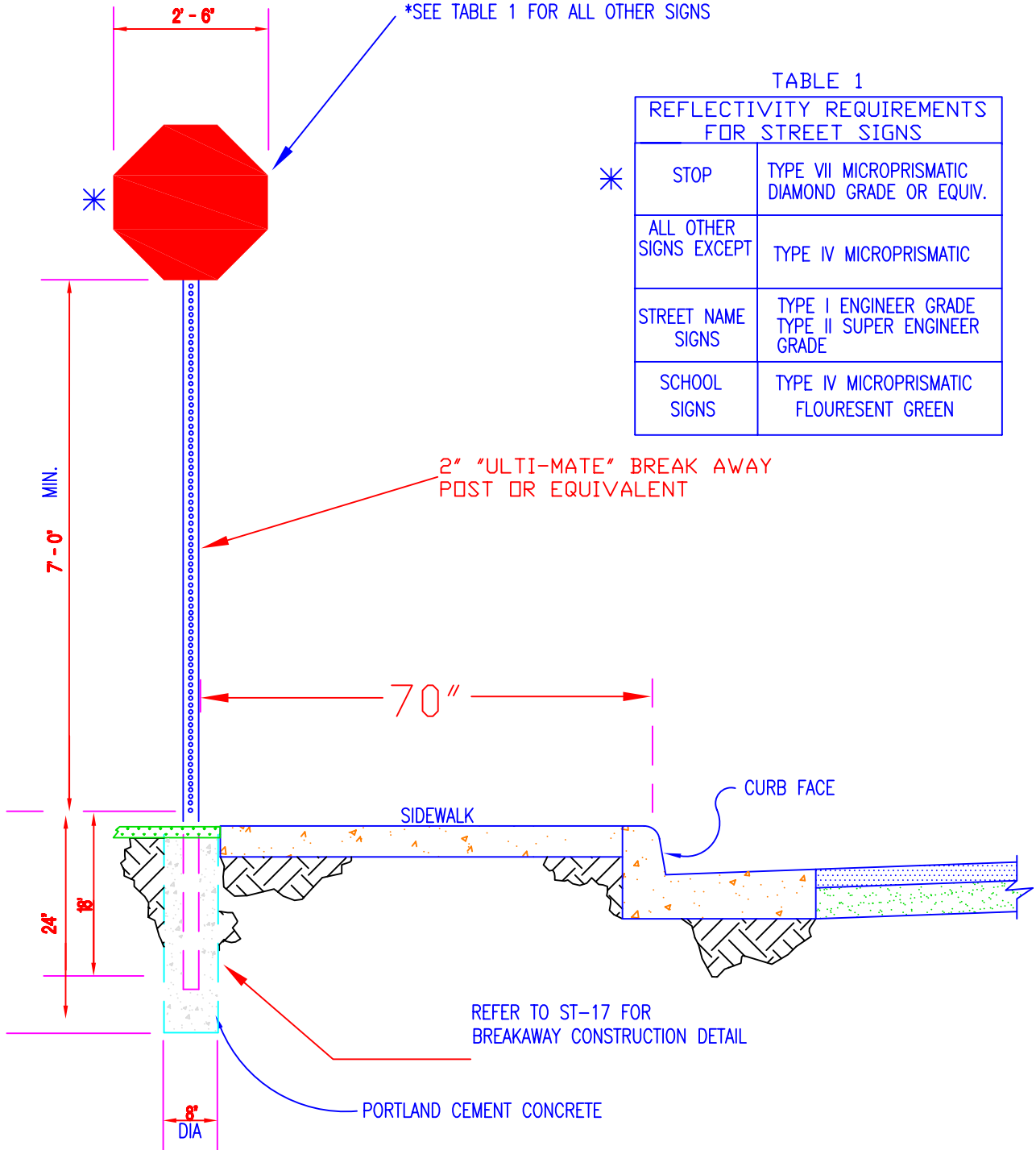


TABLE 1

REFLECTIVITY REQUIREMENTS FOR STREET SIGNS	
STOP	TYPE VII MICROPRISMATIC DIAMOND GRADE OR EQUIV.
ALL OTHER SIGNS EXCEPT	TYPE IV MICROPRISMATIC
STREET NAME SIGNS	TYPE I ENGINEER GRADE TYPE II SUPER ENGINEER GRADE
SCHOOL SIGNS	TYPE IV MICROPRISMATIC FLOURESENT GREEN



**CITY OF OROVILLE**  
DEPARTMENT OF PUBLIC WORKS

**STANDARD FOR**  
**STOP SIGN - NO PARK STRIP**

DRAWN BY.  
**R.M.**

**ERIC M. TEITELMAN, P.E.**  
DIRECTOR OF PUBLIC WORKS DEPARTMENT

REVISIONS  
1-10-00  
9-05-00  
7-13-06

DATE  
7-13-06

SHEET  
1 OF 1  
**ST-19**