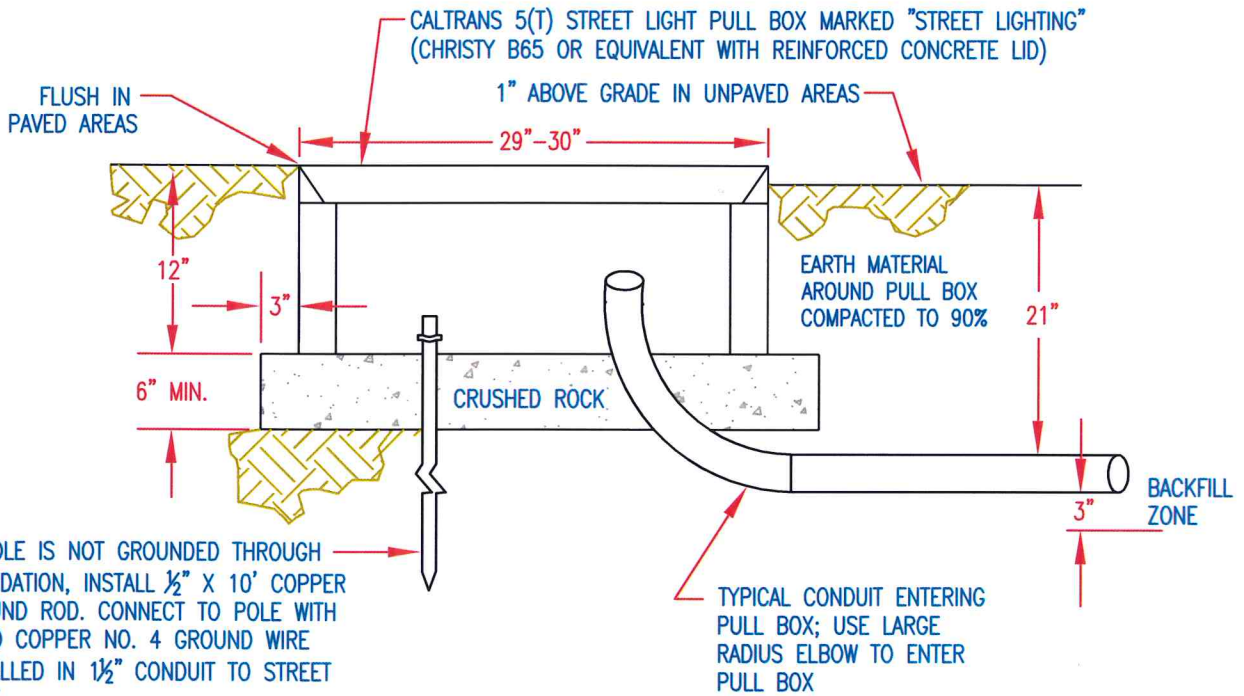


**PLAN VIEW**  
N.T.S.



IF POLE IS NOT GROUNDED THROUGH FOUNDATION, INSTALL 1/2" X 10' COPPER GROUND ROD. CONNECT TO POLE WITH SOLID COPPER NO. 4 GROUND WIRE INSTALLED IN 1 1/2" CONDUIT TO STREET LIGHT.

**SECTION VIEW**  
N.T.S.



**CITY OF OROVILLE**  
DEPARTMENT OF PUBLIC WORKS

STANDARD FOR  
**LIGHT POLE PULL BOX**

DRAWN BY.  
SG

**RICK WALLS, P.E.**  
DIRECTOR OF PUBLIC WORKS DEPARTMENT

SHEET  
1 OF 1  
ST-27