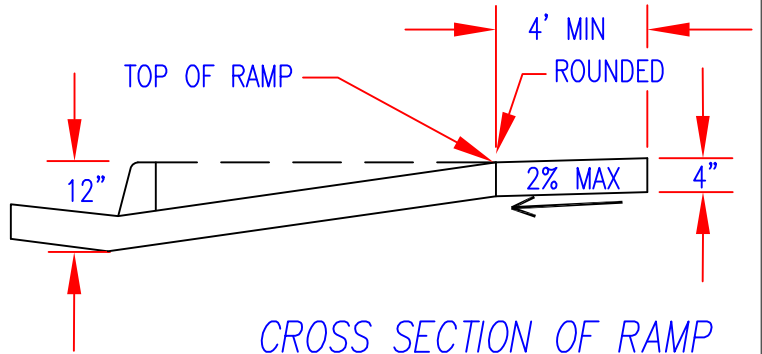


GROOVING DETAIL (12-INCHES WIDE)



CROSS SECTION OF RAMP

NOTES:

1. SEE ST-17 FOR GENERAL NOTES REGARDING RAMPS.
2. RAMPS SHALL BE POURED MONOLITHICALLY.
3. CONCRETE SHALL BE 3,000 PSI AT 28 DAYS.



CITY OF OROVILLE
DEPARTMENT OF PUBLIC WORKS

STANDARD FOR
PEDESTRIAN RAMP – NO PARK STRIP
(WITH LANDING)

DRAWN BY.
SG

RICK WALLS, P.E.
DIRECTOR OF PUBLIC WORKS DEPARTMENT

SHEET
1 OF 1
ST-14