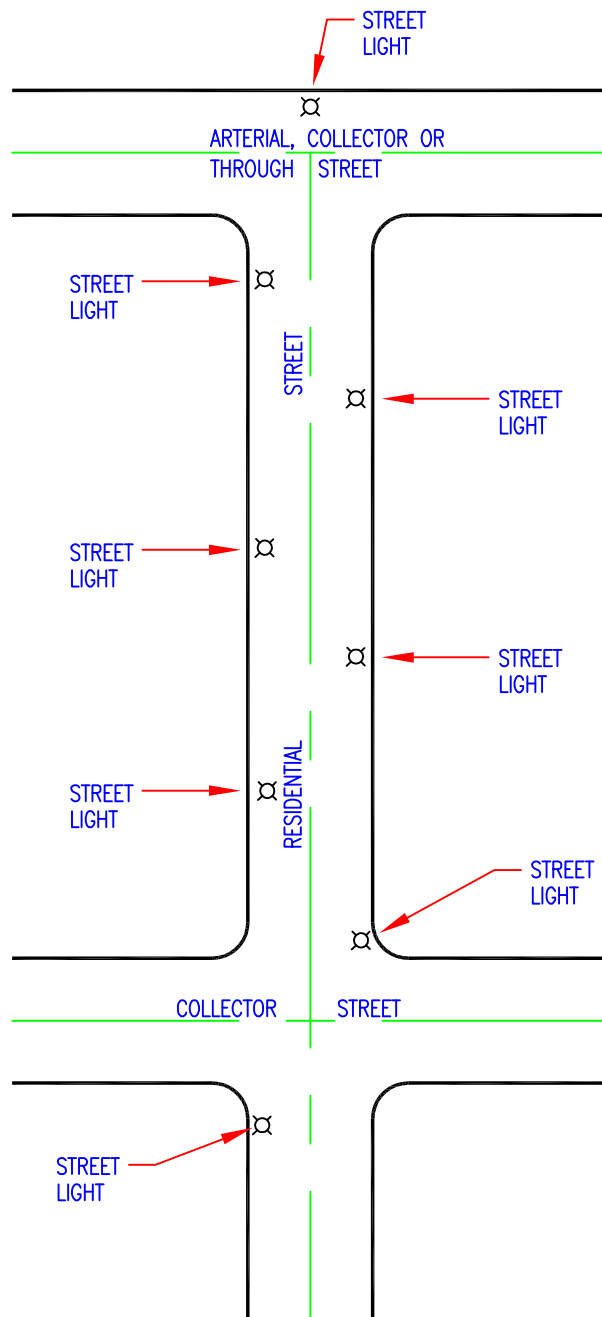


ARTERIAL, RESIDENTIAL AND COLLECTOR STREETS



CITY OF OROVILLE DEPARTMENT OF PUBLIC WORKS		
STANDARD FOR STREET LIGHT LOCATIONS		
DRAWN BY. SG	<u>RICK WALLS, P.E.</u> DIRECTOR OF PUBLIC WORKS DEPARTMENT	SHEET 1 OF 3 ST-23



ARTERIAL, RESIDENTIAL AND COLLECTOR STREETS



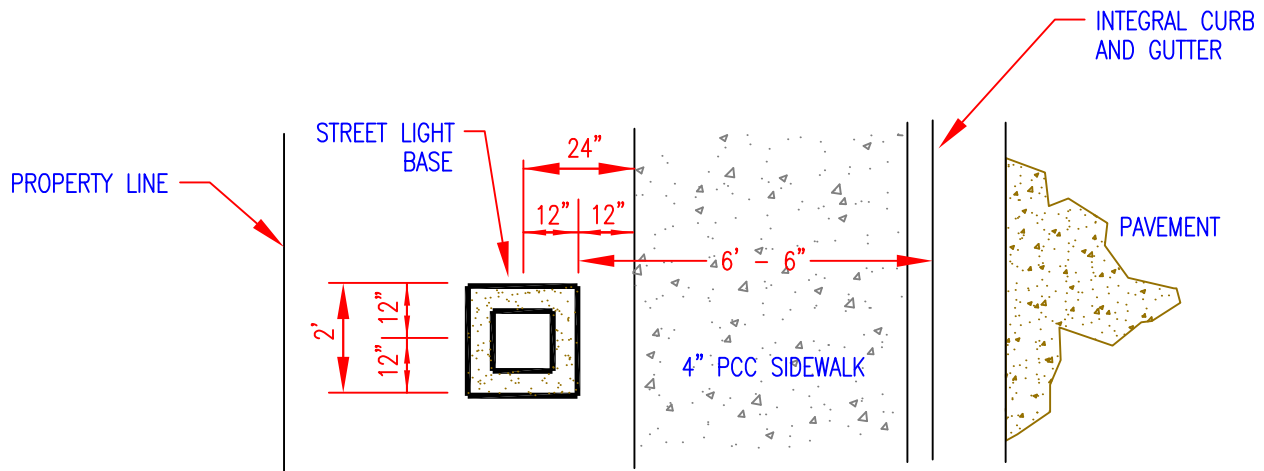
CITY OF OROVILLE
DEPARTMENT OF PUBLIC WORKS

STANDARD FOR
STREET LIGHT LOCATIONS

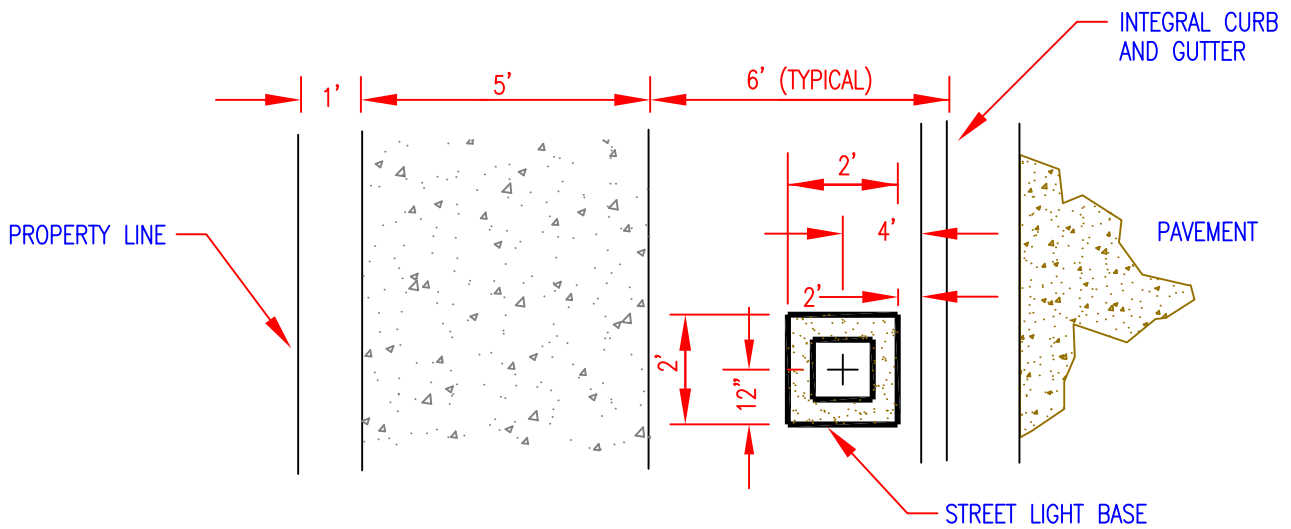
DRAWN BY.
SG

RICK WALLS, P.E.
DIRECTOR OF PUBLIC WORKS DEPARTMENT

SHEET
2 OF 3
ST-23



RESIDENTIAL STREET
SIDEWALK ADJACENT TO CURB



RESIDENTIAL STREETS
SIDEWALK WITH PARK STRIP



CITY OF OROVILLE
DEPARTMENT OF PUBLIC WORKS

STANDARD FOR
STREET LIGHT LOCATIONS

DRAWN BY.
SG

RICK WALLS, P.E.
DIRECTOR OF PUBLIC WORKS DEPARTMENT

SHEET
3 OF 3
ST-23