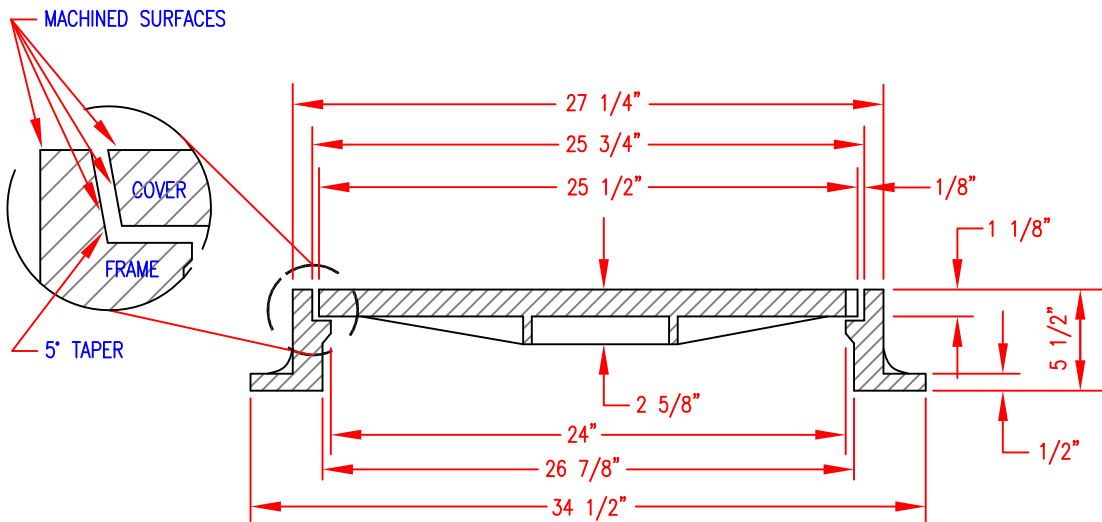


MANHOLE FRAME AND COVER
PLAN



MANHOLE FRAME AND COVER
SECTION - AA

NOTE:
MANHOLE ASSEMBLY, CAST IRON A-1032 D
& L SUPPLY (OR APPROVED EQUAL).



CITY OF OROVILLE DEPARTMENT OF PUBLIC WORKS		
STANDARD FOR STORM DRAIN MANHOLE CASTING		
DRAWN BY. SG	RICK WALLS, P.E. DIRECTOR OF PUBLIC WORKS DEPARTMENT	SHEET 1 OF 1 SD-04