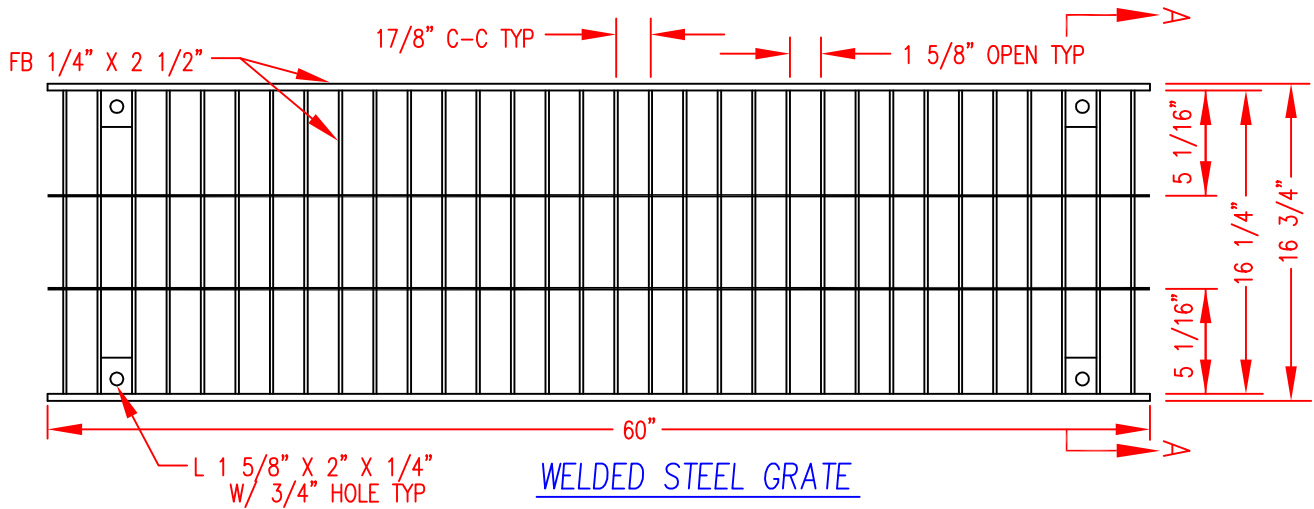


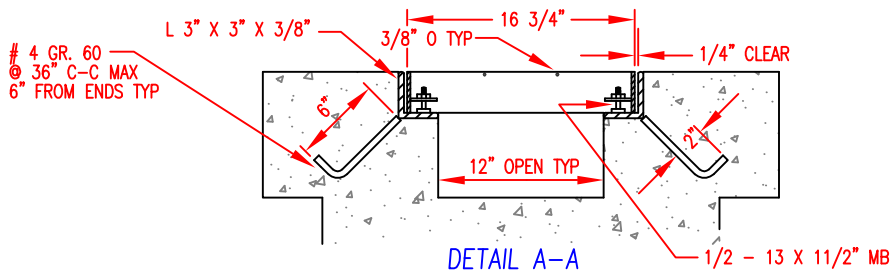
TRENCH AND GRATE DETAIL



WELDED STEEL GRATE

NOTES:

1. GRATE AND FRAME TO BE METAL WORKS ORO GRATES HOT - DIP GALVANIZED OR APPROVED EQUAL.
2. MINIMUM WALL THICKNESS TO BE 8".
3. MINIMUM TRENCH DEPTH TO BE 12"



DETAIL A-A



CITY OF OROVILLE  
DEPARTMENT OF PUBLIC WORKS

STANDARD FOR  
STORM DRAIN TRENCH COVER

DRAWN BY.  
SG

RICK WALLS, P.E.  
DIRECTOR OF PUBLIC WORKS DEPARTMENT

SHEET  
1 OF 1  
SD-07